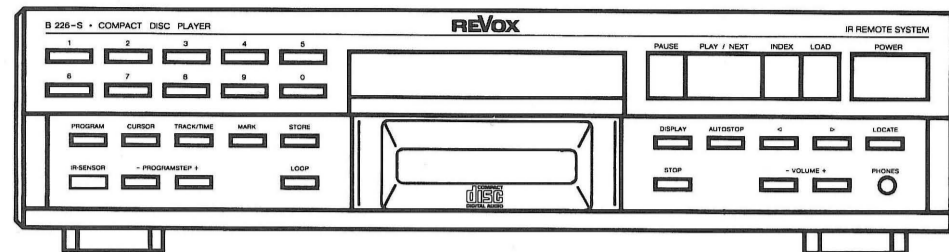


REVOX B226-S

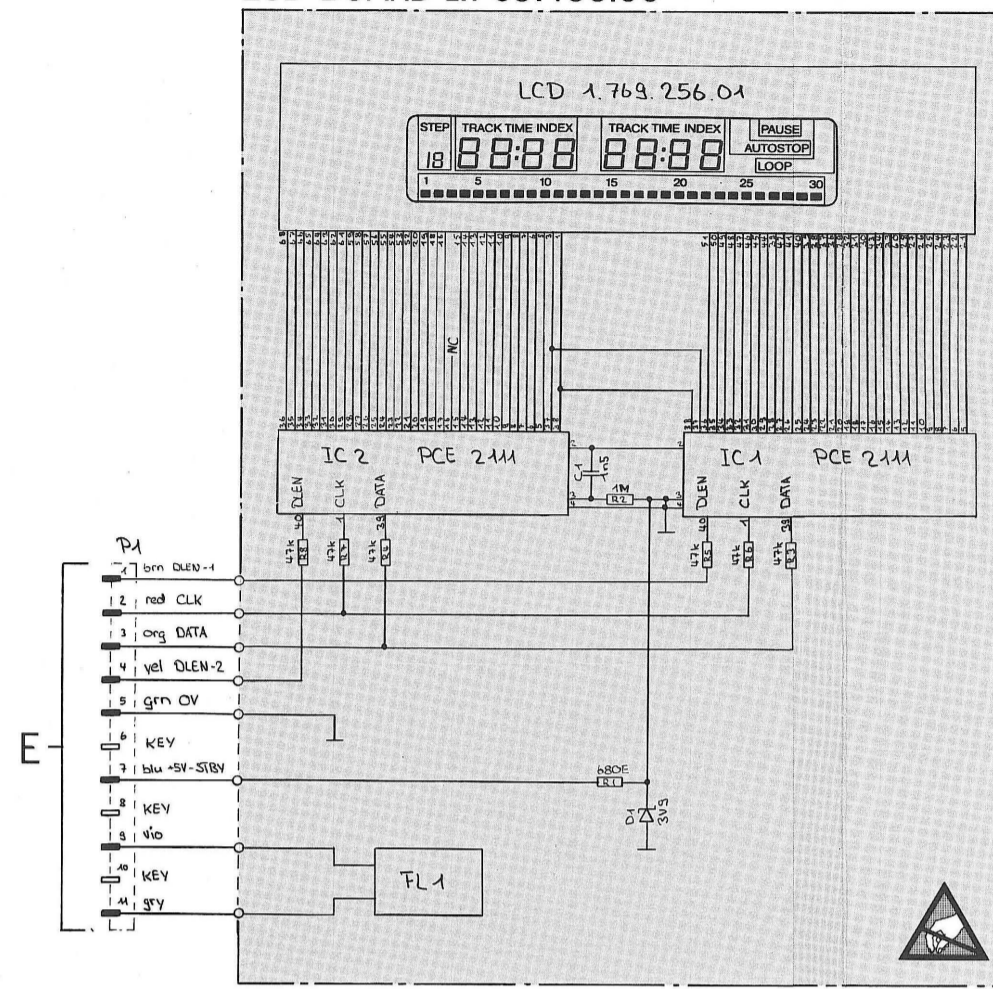
GESAMTSCHALTBILD
COMPLETE CIRCUIT DIAGRAM
SCHÉMA GÉNÉRAL



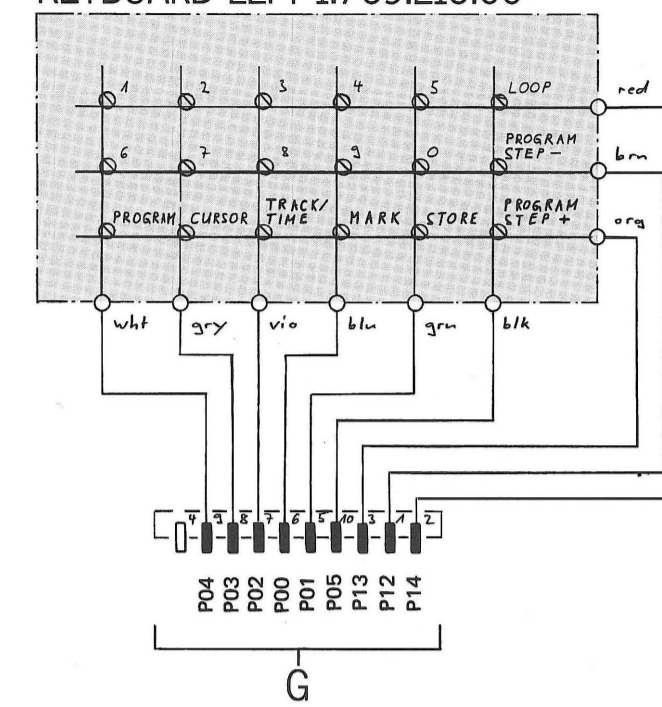
- Handling MOS components**
MOS components are extremely sensitive to static charges. Please observe therefore the following regulations:
1. Components sensitive to static charges are stored and shipped in protective package. On the packages you find the subsequent symbol.
 2. Avoid any contact of connector pins with foam packages and foils made of styropor or similar chargeable package material.
 3. Don't touch the connector pins when your wrist is not grounded with a conducting wristlet.
 4. Use a grounded conducting mat when working with sensitive components.
 5. Never plug or unplug PCBs containing sensitive components when the machine is switched on.

Subject to change
Copyright by WILLI STUDER AG
Printed in Switzerland
Order No. 10.30.1180 (Ed. 0589)
REVOX is a registered trade mark of
WILLI STUDER AG Regensdorf

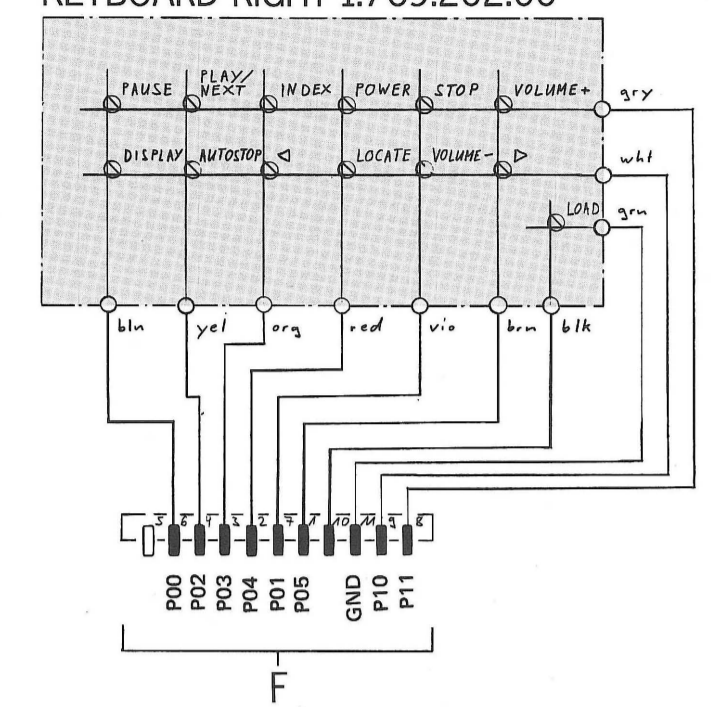
LCD BOARD 1.769.455.00



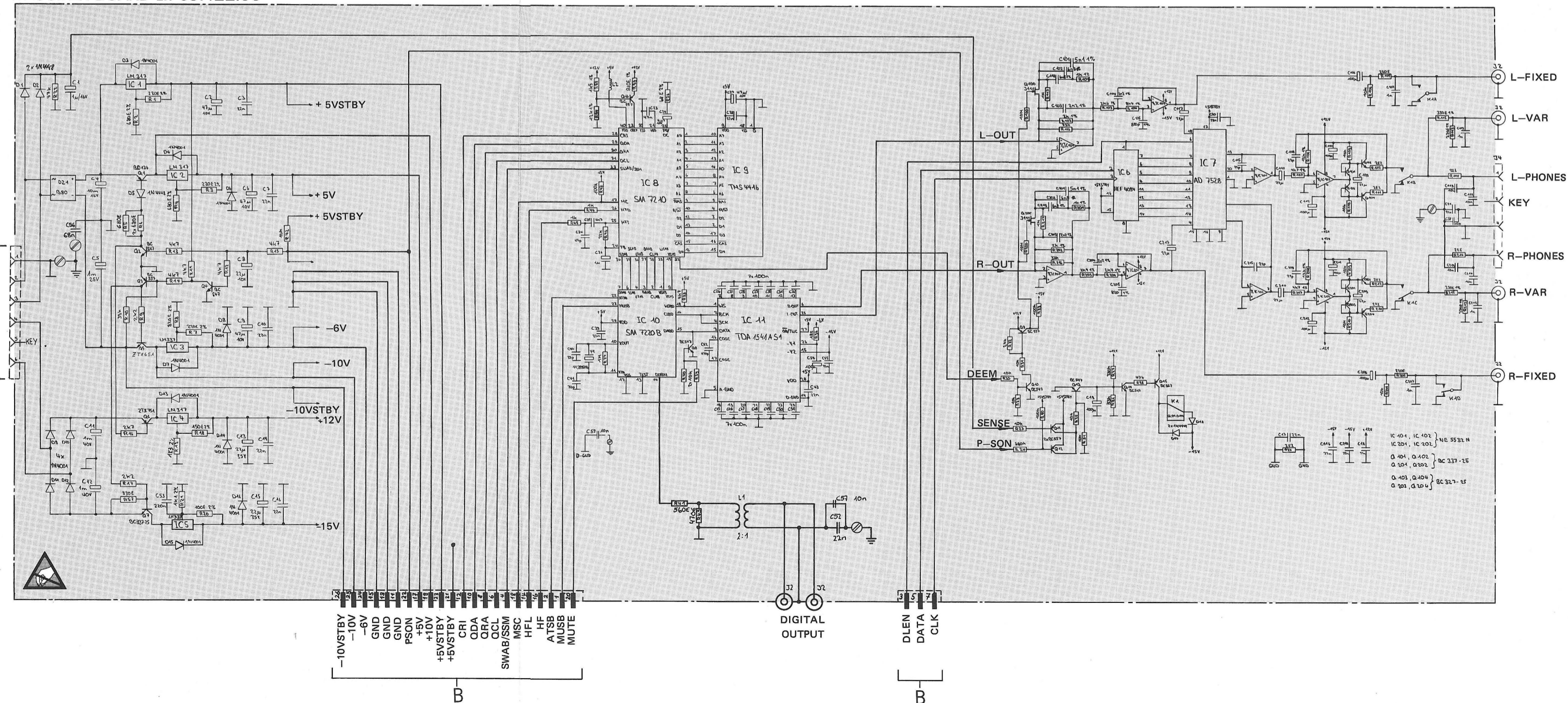
KEYBOARD LEFT 1.769.215.00



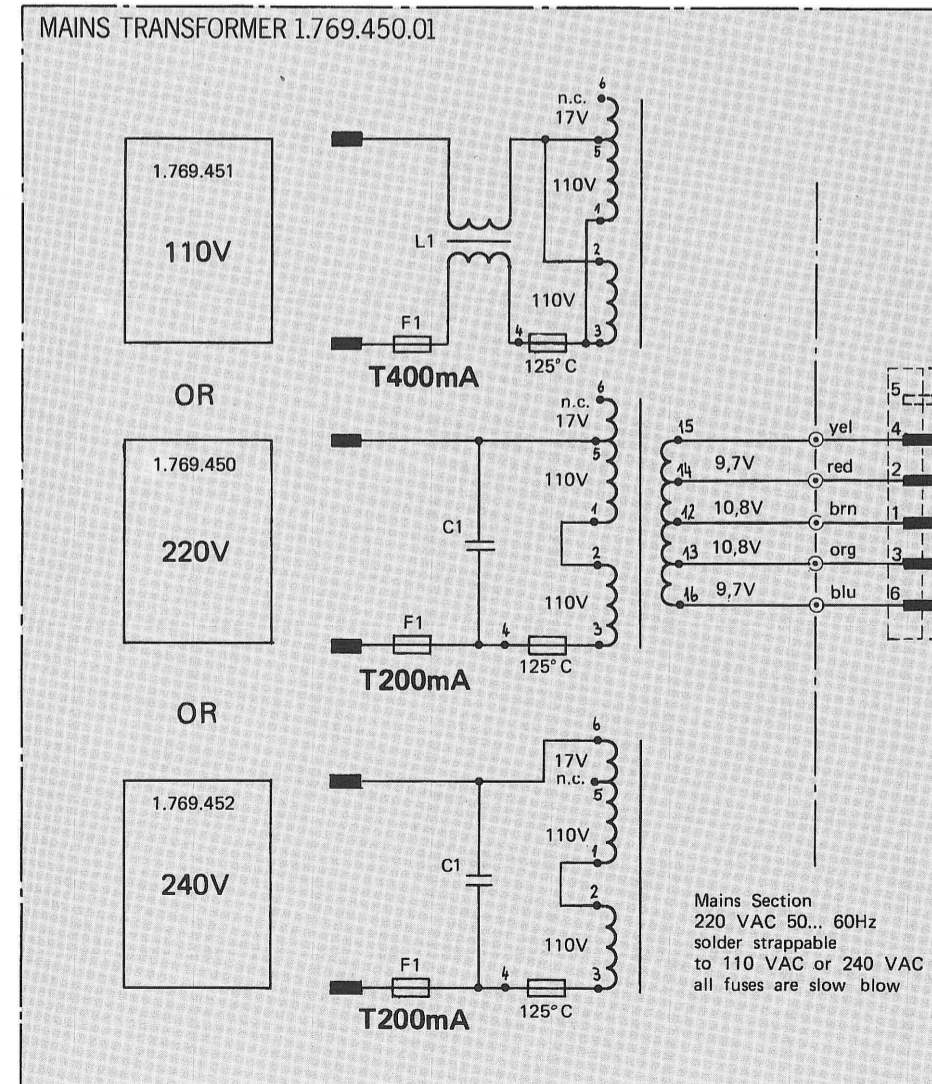
KEYBOARD RIGHT 1.769.202.00



DECODER BOARD 1.769.422.00

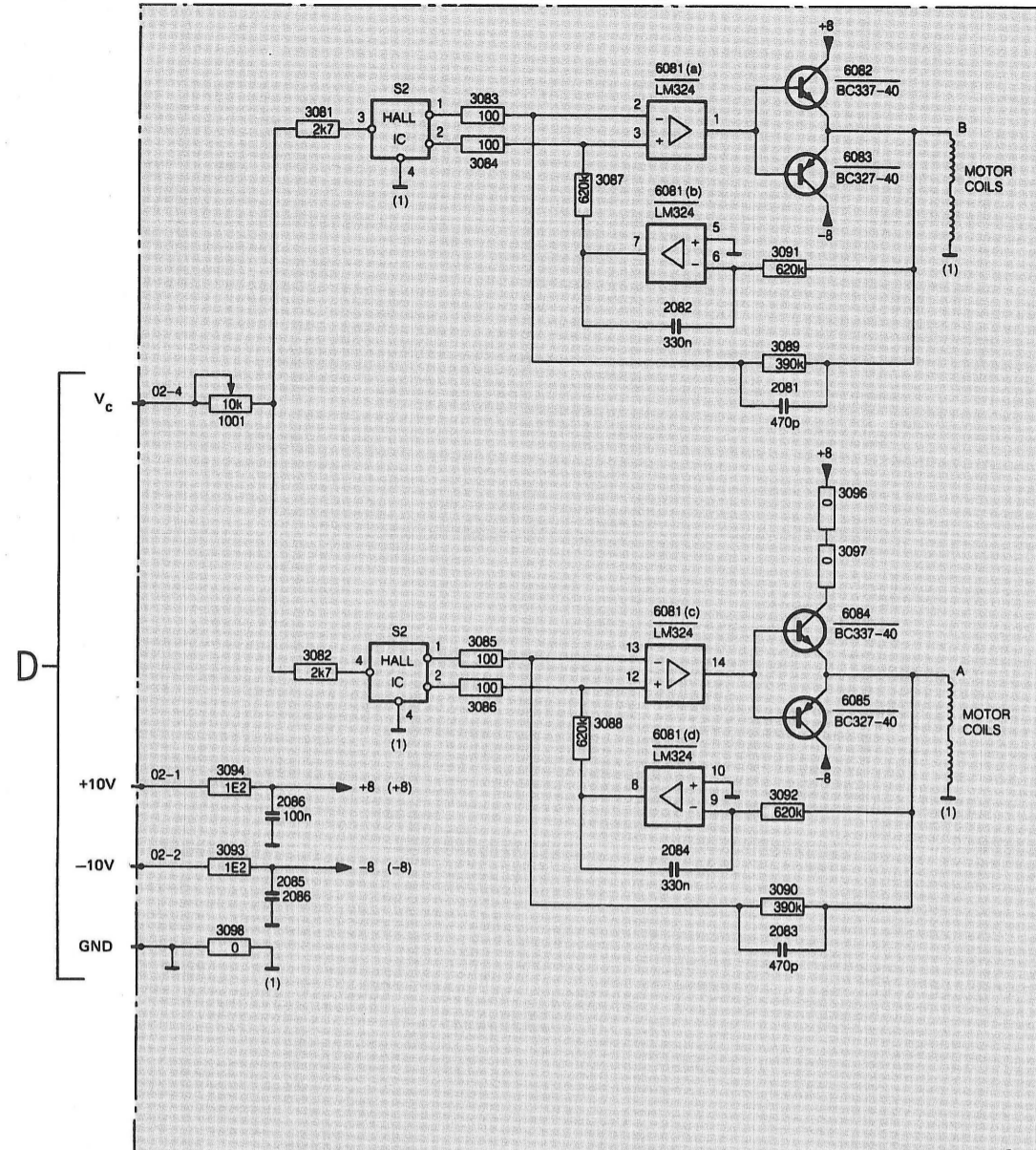


MAINS SECTION 1.769.450.00 220V

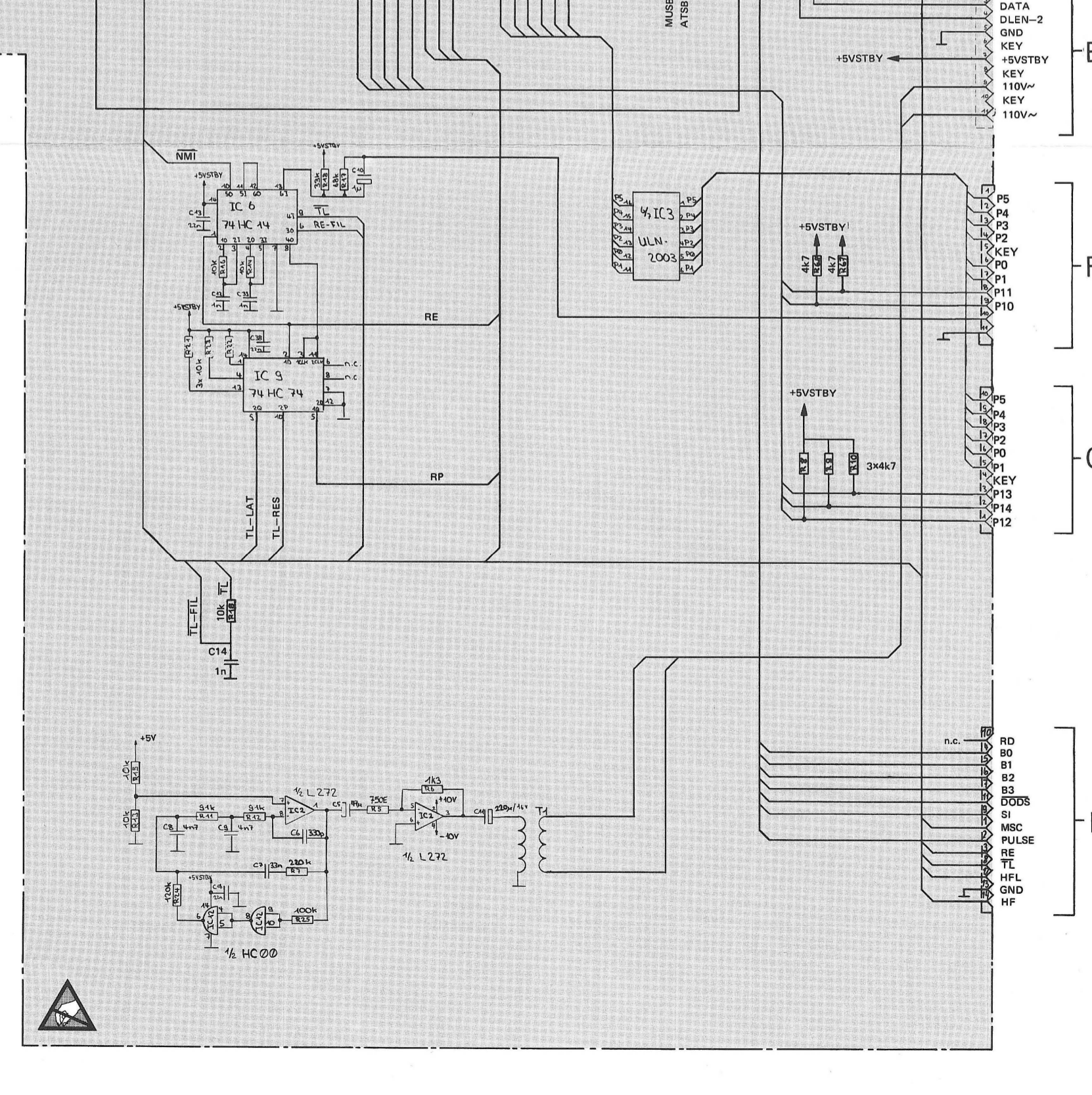
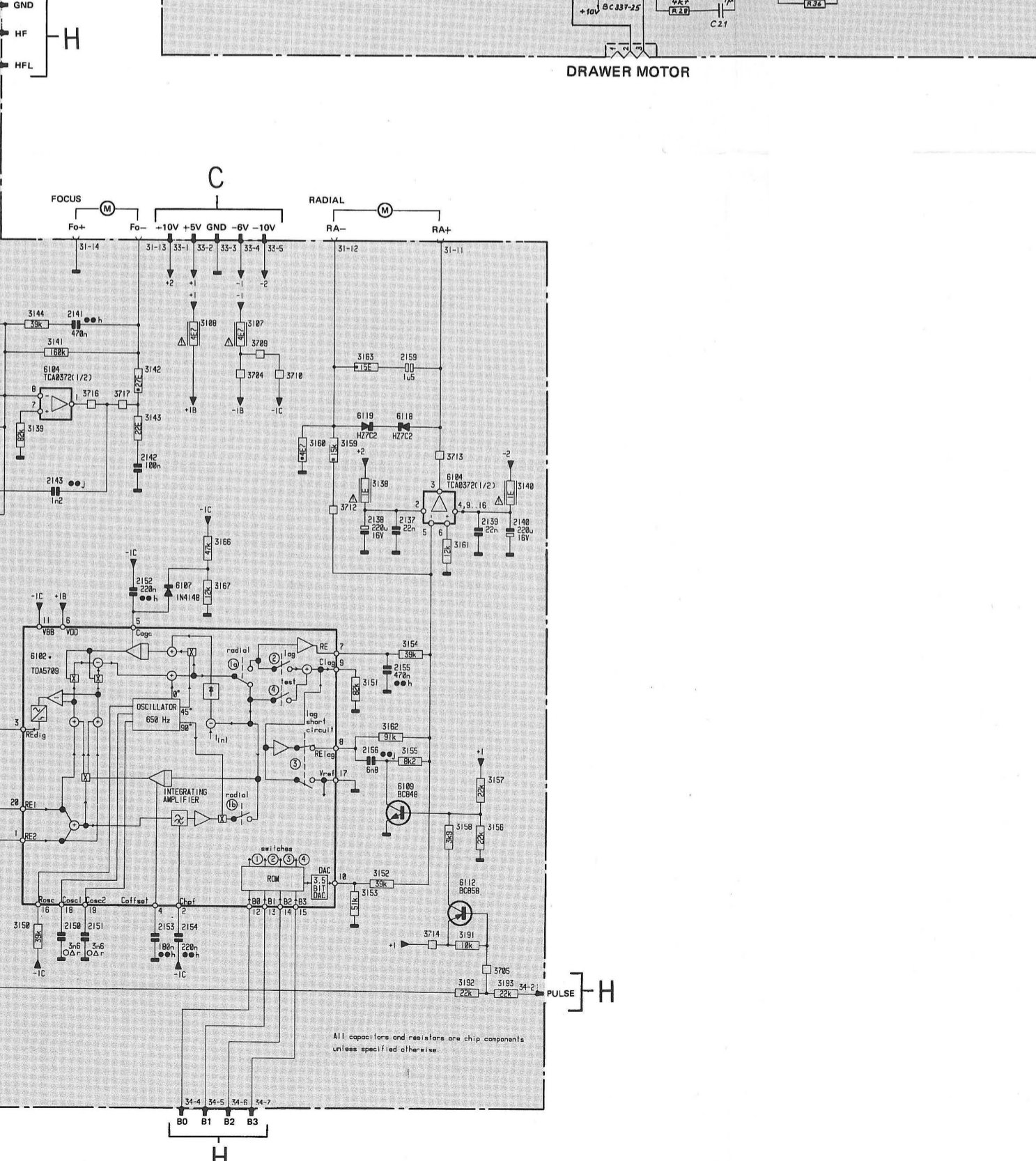
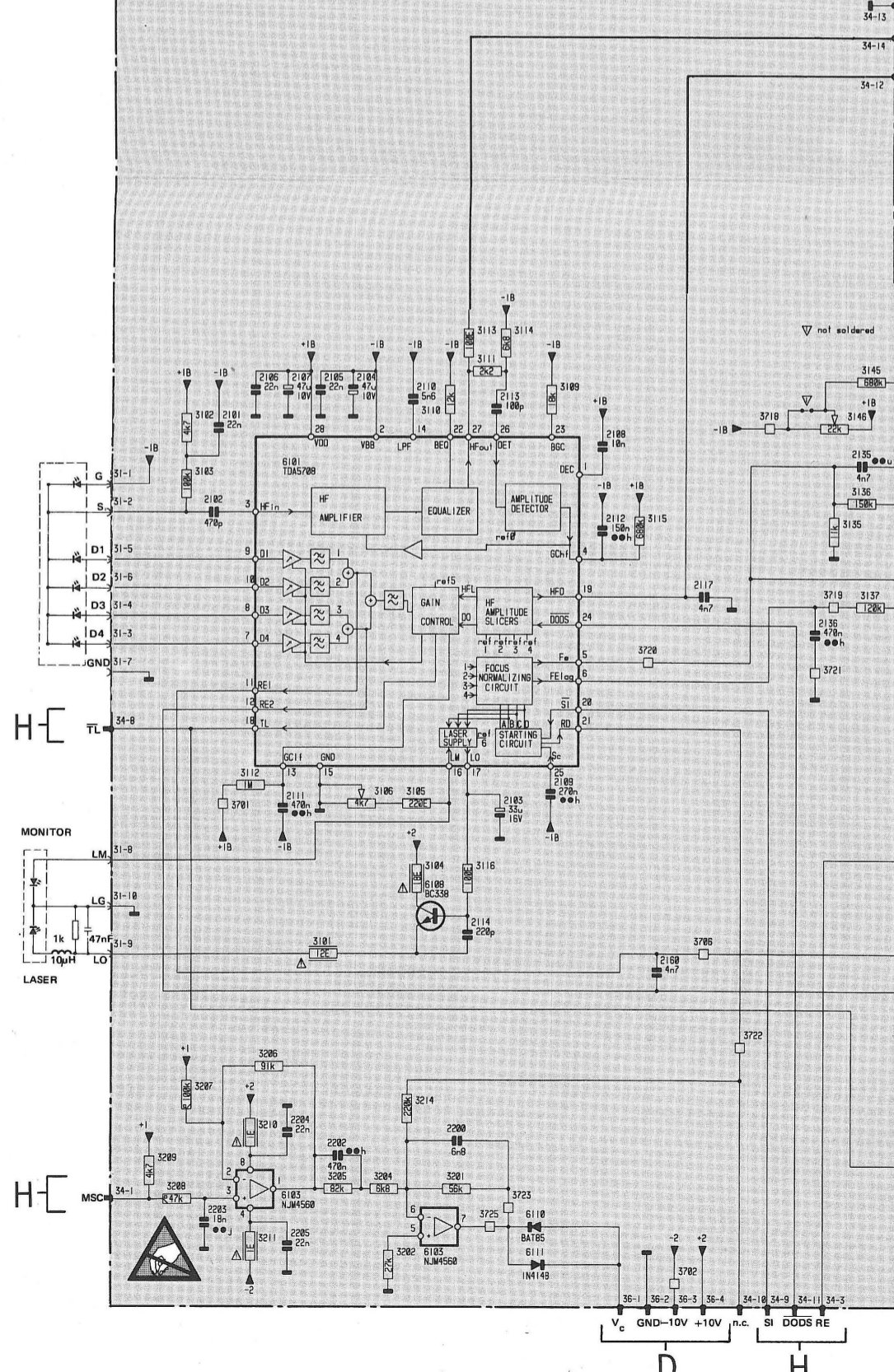
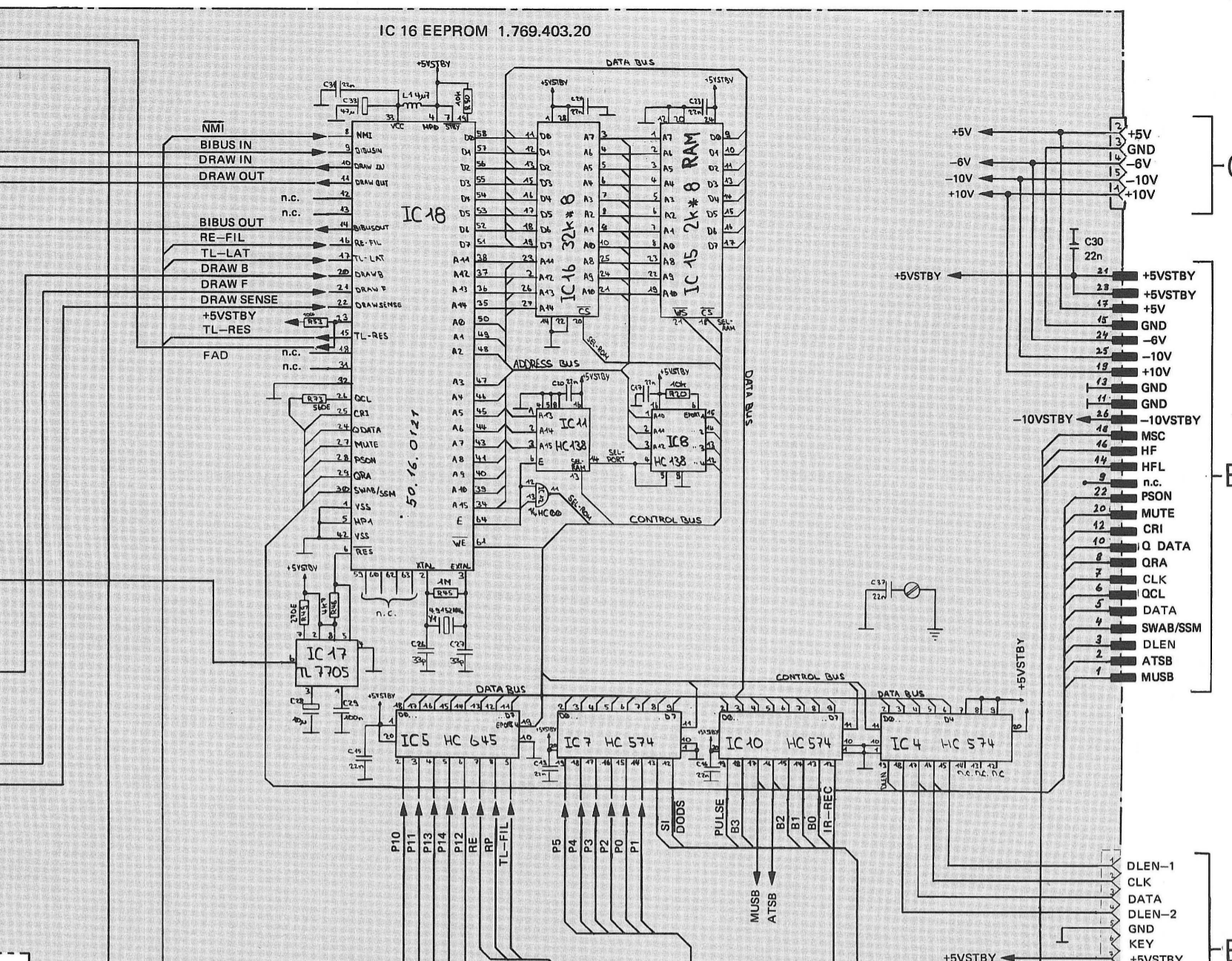
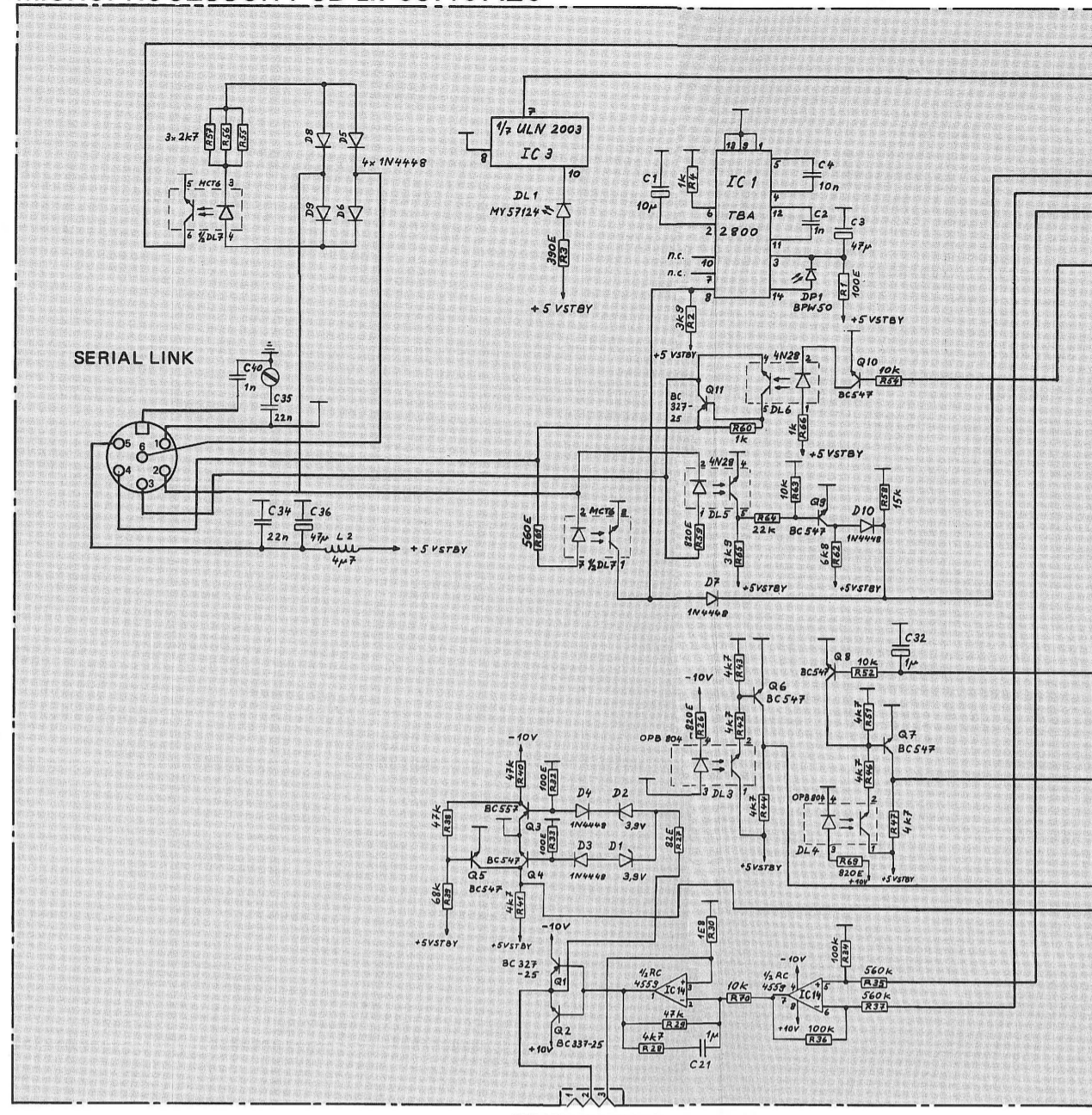


Mains Section
220 VAC 50... 60Hz
solder strappable to
110 VAC or 240 VAC
all fuses are slow blow

CD-DRIVE COMPLETE 1.769.118.00



MICROPROCESSOR PCB 1.769.407.20



All components and resistors are chip components unless specified otherwise.